

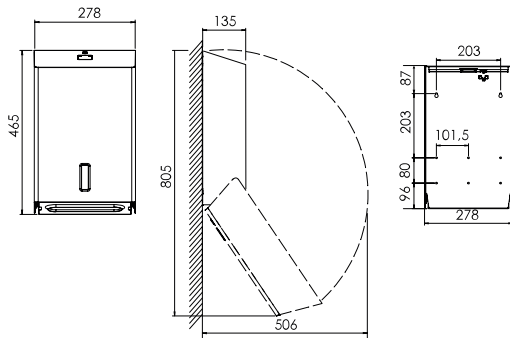
PTU 45 P MN

Paper towel dispenser for dispensing all major paper types
Art.-No. 1423920



OPHARDT HYGIENE-TECHNIK GmbH + Co. KG
Lindenau 27 | 47611 Issum | Germany
Tel.: +49 (0) 28 35 18-10 | Fax +49 (0) 28 35 18-77
planer@ophardt.com | www.ophardt.com

PTU 45



Maße in mm - Dimensions in mm



References

airports, train stations, schools, kindergardens, hotels, restaurants, commercial kitchen, food processing areas, prisons, exhibitions, conference centres, shopping centres, fitness and sports centres, industry, laboratories, administration facilities

Usage examples

washrooms, toilets, baths, nursing and examination rooms, kitchens, production facilities

Technical data

Housing:	Stainless steel, matte black powder coated (RAL 9005)
Filling volume (sheet):	approx. 700-800 sheets
Paper type:	C-fold, Layerfold, Z-Fold, ZZ-Fold, V-Fold, Zick-Zack, Multi- and Interfold
with/without viewing window:	Clear
Mounting:	Wall mounting with 4 screws and wall plugs
Cleaning:	manual wipe disinfection, not dishwashersafe, not autoclavable
Warranty:	5 years
Dimensions (W x H x D) in mm:	278x466x135
Hinweis:	Before using new products, please always check the compatibility of the product and the dispensing system to ensure proper functionality.